



ADDENDUM NO. 2

WASHINGTON STATE PARKS AND RECREATION COMMISSION KOPACHUCK STATE PARK DAY USE DEVELOPMENT SW-C1811

DATE: April 22, 2024

ATTENTION TO PLANHOLDERS OF RECORD. The following revisions are hereby made a part of the Contract Documents. Please be sure to acknowledge all Addenda on the Bid Form.

SPECIFICATIONS

Section 016000 – PRODUCT REQUIREMENTS

1.1 COMMISSION FURNISHED ITEMS

Revise: A. The Commission furnished no items, except for paper towel dispenser/waste receptacles, toilet tissue dispensers, soap dispensers, picnic tables, ~~and~~ barbeques, **and EV Charger** for installation by the Contractor. Make all arrangements for and provide all materials required to accomplish the Work.

Section 074646 – FIBER-CEMENT SIDING

2.2 ACCESSORIES

Revise: A. Siding Accessories, General: Provide starter strips, edge trim, outside and inside corner caps, and other items as recommended by siding manufacturer for building configuration. Provide 5/4 HardieTrim board and HardieTrim Batten (**2½” width**) Boards, Primed Rustic Grain finish. See drawings for required **HardieTrim board** widths.

ADD: **C. Rainscreen Assembly: Install vertical battens 16” o.c. at each vertical stud between the weather resistive barrier and siding.**

1. Vertical Battens: A product such as framing, sheathing, or furring, composed of wood or wood-based materials, or other materials or fasteners, providing equivalent fastener withdrawal resistance under transverse load.

Revise: **DC.** Fasteners:

1. For fastening fiber cement, use stainless steel fasteners.

3.1 INSTALLATION

ADD: **F: HardieTrim Batten Boards to be installed at 16” o.c. spacing on exterior and interior siding where indicated on drawings.**

Section 096519 – RESILIENT TILE FLOORING

2.1 RESILIENT TILE FLOORING

Revise: A. Resilient Tile Flooring: ~~Korlok~~ Van Gogh Rigid Core Planks by Karndean Designflooring, www.karndean.com.

2.2 MOISTURE BARRIER MEMBRANE

ADD: A. Moisture Barrier Membrane:

2. Moisture Barrier Membrane only required under resilient tile flooring installed on concrete slabs.

Section 321216 – ASPHALT CONCRETE PAVEMENT AND PAVEMENT MARKING

2.2 ASPHALT

Revise: A. Asphalt paving shall conform to 5-04, 9-02 and 9-03 of the Standard Specifications.

1. Roads and Parking Lot: HMA Class ½” PG 58-22 (Class B).
2. 56th Street Path: HMA Class 3/8” PG 58-22 (Class G).

DRAWINGS

Sheet A5.2: **Revise:** Cabinet Section Detail ‘B’ and Sink Cabinet Detail ‘C’ as shown clouded on Addendum Sketch ADD-2.01 attached.

Sheet A2.3: **Revise:** Ceiling plan for rooms 003 and 004 as shown clouded on Addendum Sketch ADD-2.02 attached.

Sheet A5.0: **Revise:** Door Schedule for Doors 106A, 106B, and 106C as shown clouded on Addendum Sketch ADD-2.03 attached.

Sheet A5.0: **Revise:** Door Types and Window Types elevations as shown clouded on Addendum Sketch ADD-2.04 attached.

Sheet C3.13: **Revise:** EV Charger quantity and location as shown clouded on Addendum Sketch ADD-2.05 attached.

Sheet E1.04: **Revise:** EV Charger quantity and location as shown clouded on Addendum Sketch ADD-2.06 attached.

Sheet E4.03: **Revise:** Vehicle Charging Stations breakers on Electrical Panel Schedule as shown clouded on Addendum Sketch ADD-2.07 attached.

BIDDER'S QUESTIONS

Question (4/12/24 via email)

Regarding the faux rock water feature: Is it ok to manufacture the faux rock feature off site for quality control reasons?

Response

Substitutions are not accepted during bidding. Substitutions may be considered after contract award per Section 5.1 E. of the Instructions to Bidders and Section 016000 – PRODUCT REQUIREMENTS of the specifications.

Question (4/12/24 via email)

Regarding the faux rock water feature: Is there a frost depth concern for this project?

Response

Frost depth is less than 10” at this site so it should not be a concern as all faux rock feature details show the footings at 12” depth with 6” of compacted gravel below.

Question (4/15/24 via email)

Refer to C6.04, with reference to gas line shown. Who is responsible for installation of gas line and propane tank?

Response

The contractor and/or their subcontractors are responsible for the installation of the propane lines. The propane tank will be installed via a State Parks ongoing service contract (T.B.D.) with a propane supplier that covers the installation of the tank itself.

Question (4/16/24 via email)

Day use building: we refer to Kitchen elevation 1/A5.2 and Section B/A5.2. Please confirm countertop and backsplash finish is stainless or plastic laminate?

Response

Countertop and backsplashes in the kitchen are to be stainless steel per kitchen elevations 1/A5.2. Sections B/A5.2 and C/A5.2 incorrectly noted the countertop and backsplash material. See revised sections B/A5.2 and C/A5.2 as shown in Addendum Sketch ADD-2.01 attached.

Question (4/16/24 via email)

Day use building: are we providing roller blinds at all meeting room windows?

Response

Yes.

Question (4/16/24 via email)

Regarding the Fiber Cement Panel siding with battens, section 074646 and details on A3.0: a. The details call for a 3/8” batten at 16” o.c. between the siding panel and weather barrier. The specifications do not mention this, and James Hardie’s website does not include anything for it. This is also not shown on the enlarged siding detail 3/A6.0. Are these required, and if so what are they made of and what width is desired? The same applies to the Welcome Center building.

Response

The 3/8" Vertical Battens between the weather barrier and siding panel are required to create the rainscreen assembly. Vertical Battens should be a product or material such as framing, sheathing, or furring, composed of wood or wood-based materials, or other materials or fasteners, providing equivalent fastener withdrawal resistance under transverse load. Width (1½" min.) dependent on product used. See revisions to 2.2 ACCESSORIES in Section 074646 – FIBER-CEMENT SIDING of the specifications as noted above.

Question (4/16/24 via email)

Regarding the Fiber Cement Panel siding with battens, section 074646 and details on A3.0: b. The exterior elevations do not call out a spacing for the exterior battens (not the battens in 'a' above), the spacing on the elevations scale to be 14" o.c., which does not work with the 48" panel widths or stud spacing. Should these be spaced at 16" oc instead? The same applies to the Welcome Center building.

Response

For the exterior battens, spacing at 16" o.c. is acceptable. See revisions to 3.1 INSTALLATION in Section 074646 – FIBER-CEMENT SIDING of the specifications as noted above.

Question (4/16/24 via email)

Regarding the Fiber Cement Panel siding with battens, section 074646 and details on A3.0: c. The same question on batten spacing applies to the interior siding battens.

Response

For the interior battens, spacing at 16" o.c. is acceptable. See revisions to 3.1 INSTALLATION in Section 074646 – FIBER-CEMENT SIDING of the specifications as noted above.

Question (4/16/24 via email)

The finish schedule on A5.0 calls for gwb ceiling in rooms 003 and 004, but the ceiling plan A2.3 says exposed above, please clarify.

Response

Install 5/8" Type X GWB ceiling in rooms 003 and 004. See revisions to ceiling plan sheet A2.3 as shown in Addendum Sketch ADD-2.02 attached.

Question (4/16/24 via email)

The door schedule A5.0 calls doors 106A, 106B, and 106C to be pair 3'-0"x7'-0", but the floor plan A2.0 shows these openings to be 5' wide, not 6'. Please clarify.

Response

The door width is 5'-0" (pair of 2'-6" wide doors) for doors 106A, 106B, and 106C. See revisions to the Door Schedule on sheet A5.0 as shown on Addendum Sketch ADD-2.03 attached.

Question (4/16/24 via email)

ADA toilet 105 on A2.0 doesn't include a baby changing station, is this correct?

Response

Correct, there is no baby changing station in ADA toilet 105 due to clearance issues. For similar reasons the baby changing station shown in ADA toilet 102 should ALSO BE DELETED.

Question (4/16/24 via email)

Sheet A5.2, cabinet elevations call for stainless steel countertops, but the cabinet details call for Plam counters, please clarify.

Response

Countertop and backsplashes in the kitchen are to be stainless steel per kitchen elevations 1/A5.2. Sections B/A5.2 and C/A5.2 incorrectly noted the countertop and backsplash material. See revised sections B/A5.2 and C/A5.2 as shown in Addendum Sketch ADD-2.01 attached.

Question (4/16/24 via email)

There are no specifications or mounting details for the accordion partition between the meeting rooms 107 and 108, please provide.

Response

Please see Section 083513 – Accordion Folding Doors in the project specifications.

Question (4/17/24 via email)

Clarification on 096519 Resilient Tile Flooring: Part 2 – Products 2.1 A. calls for Karndean Rigid Core Planks “Korlok Van Gough” rigid core planks. “Korlok” and “Van Gough” are 2 different collections with different pricing?

Response

Please bid Van Gogh Rigid Core Planks. See revisions to 2.1 RESILIENT TILE FLOORING in Section 096519 – RESILIENT TILE FLOORING of the specifications as noted above.

Question (4/17/24 via email)

Clarification on 096519 Resilient Tile Flooring: 2.2 Moisture Vapor Barrier Membrane. 1. Kovara 95. This would be just an added expense you do not really need. Both rigid core planks listed are click together planks and are waterproof without the need for a moisture barrier. While Van Gough is also available in a glue down which is not rigid core, Karndean K-99 adhesive blocks up to 99% moisture and would cost nothing extra if you wanted to go with the glue down. Please advise.

Response

KOVARA 95 will be required where resilient tile flooring is installed on concrete slabs. See revisions to 2.2 MOISTURE BARRIER MEMBRANE in Section 096519 – RESILIENT TILE FLOORING of the specifications as noted above.

Question (4/17/24 via email)

The specifications call out both Class B and G HMA. Neither of these specs exist in the current WSDOT Standard Specifications. The standard specs call out a size and oil grade. The specifications for the project call out PG58-22 oil. Would HMA CL. ½” PG 58H-22 and HMA Cl. 3/8” PG 58H-22 be acceptable for this project?

Response

The HMA Class ½” PG 58-22 (Class B) and HMA Class 3/8” PG 58-22 (Class G) pavement references are shown on the drawings (details 10 and 11 on sheet C5.01) with the Class B and Class G references within parenthesis however, in spec Section 321216 2.2. the parenthesis were inadvertently omitted. Both the drawings and the specs call for HMA Class ½” PG 58-22 and HMA Class 3/8” PG 58-22 asphalt paving to be used on this project. The (Class B) and (Class G) designations are older terminology that was included only to convey for those familiar with those terms that the two types of asphalt used are intended to be similar to those old

legacy mix pavement references. See revisions to 2.2 ASPHALT in Section 321216 – ASPHALT CONCRETE PAVEMENT AND PAVEMENT MARKING of the specifications as noted above.

Question (4/17/24 via email)

After reviewing Addendum #1, we have this question: On page 9 of the addendum, our submitted question is listed regarding ‘Aluminum Storefront Components vs. Grids in the Glass’. The response says to refer to A5.0 for clarification, but an updated drawing A5.0 was not included with Addendum #1 documents and A5.0 of original bid drawings does not specify anything regarding grids. We would like clarification so we can include accurate design intent in our proposal, specifically at the storefront entry of the day use building. Please provide an updated A5.0.

Response

In the contractor’s original question, they referenced Elevation A on sheet A3.0 as not having enough detail for the glazing frames/muntin. Referencing sheet A5.0 was provided in the Addendum #1 response as it has more detail. For additional clarification, see revisions to the Door and Window Types details on sheet A5.0 as shown on Addendum Sketch ADD-2.04 attached.

Question (4/17/24 via email)

We are looking at bidding the electrical on the Kopachuck State Park Day Use Development project and noticed on sheet E1.04 it calls out for 2x EV Chargers to be installed. Does the state have a preferred brand / unit that they use or is it up to the contractor to submit on one of the typical brands and install? I’m not seeing anything called out in the specs or the state web site.

Response

The EV Charger will be an Owner furnished, Contractor installed single, pedestal mount, dual charger with cable retractors. See revisions to 1.1 COMMISSION FURNISHED ITEMS in Section 016000 – PRODUCT REQUIREMENTS of the specifications as noted above. The specific brand to be installed will be: PowerCharge Platinum Charging Station, Pedestal mount, Dual Port, 208/240v, 40a (9.6kW), 18’, J1772, OCPP 1.6 (WIFI Capable), Includes Cable Retractors. See PowerCharge product data cutsheet attached. For EV Charger location see revisions to Layout & Materials Plan Enlargement as shown on Addendum Sketch ADD-2.05 and Electrical Site Plan – Grid 4 as shown clouded on Addendum Sketch ADD-2.06 attached. For Electrical Panel see revisions to Welcome Center Panel Schedules & One-Line plan as shown clouded on Addendum Sketch ADD-2.07 attached.

Question (4/17/24 via email)

Site Drawing # E1-04 shows (2) EV Chargers. Can you please send additional information: Brands, Single/Double Head, including Network Subscription. Or is only Conduit Stub-up for Future EV Chargers? Please confirm.

Response

The EV Charger will be an Owner furnished, Contractor installed single, pedestal mount, dual charger with cable retractors. See revisions to 1.1 COMMISSION FURNISHED ITEMS in Section 016000 – PRODUCT REQUIREMENTS of the specifications as noted above. The specific brand to be installed will be: PowerCharge Platinum Charging Station, Pedestal mount, Dual Port, 208/240v, 40a (9.6kW), 18’, J1772, OCPP 1.6 (WIFI Capable), Includes Cable Retractors. See PowerCharge product data cutsheet attached. For EV Charger location see revisions to Layout & Materials Plan Enlargement as shown on Addendum Sketch ADD-2.05 and Electrical Site Plan – Grid 4 as shown clouded on Addendum Sketch ADD-2.06 attached. For Electrical Panel see revisions to Welcome Center Panel Schedules & One-Line plan as shown clouded on Addendum Sketch ADD-2.07 attached.

Question (4/18/24 via email)

Can you please confirm the need of Fire Alarm Systems in the Buildings: Day Use Building and Welcome Center building? Please confirm Manufacturers/Systems involved?

Response

Both buildings will require fire alarms. The fire alarm permit is separate and must be applied for by the contractor. Fire alarm system design and installation should be included in contractor's bid. There are no requirements for a specific fire alarm manufacturer. Potential fire alarm system manufacturer recommendations include systems by: Honeywell Security & Fire Solutions/Gamewell-FCI (www.gamewell-fci.com/#sle); Potter Electric Signal Company (www.pottersignal.com/#sle); Siemens Building Technologies, Inc. (www.usa.siemens.com/#sle); and Simplex, a brand of Johnson Controls (www.simplex-fire.com/sle). Equipment and interface must comply with NFPA and local codes.

Question (4/18/24 via email)

Regarding EV Chargers; Please advise what Brand, Double or Single Head/Nozzle, or is it only conduit stub up for future EV chargers required?

Response

The EV Charger will be an Owner furnished, Contractor installed single, pedestal mount, dual charger with cable retractors. See revisions to 1.1 COMMISSION FURNISHED ITEMS in Section 016000 – PRODUCT REQUIREMENTS of the specifications as noted above. The specific brand to be installed will be: PowerCharge Platinum Charging Station, Pedestal mount, Dual Port, 208/240v, 40a (9.6kW), 18', J1772, OCPP 1.6 (WIFI Capable), Includes Cable Retractors. See PowerCharge product data cutsheet attached. For EV Charger location see revisions to Layout & Materials Plan Enlargement as shown on Addendum Sketch ADD-2.05 and Electrical Site Plan – Grid 4 as shown clouded on Addendum Sketch ADD-2.06 attached. For Electrical Panel see revisions to Welcome Center Panel Schedules & One-Line plan as shown clouded on Addendum Sketch ADD-2.07 attached.

Question (4/18/24 via email)

Having issue finding anything on the fire alarm. Is it not needed?

Response

Both buildings will require fire alarms. The fire alarm permit is separate and must be applied for by the contractor. Fire alarm system design and installation should be included in contractor's bid. There are no requirements for a specific fire alarm manufacturer. Potential fire alarm system manufacturer recommendations include systems by: Honeywell Security & Fire Solutions/Gamewell-FCI (www.gamewell-fci.com/#sle); Potter Electric Signal Company (www.pottersignal.com/#sle); Siemens Building Technologies, Inc. (www.usa.siemens.com/#sle); and Simplex, a brand of Johnson Controls (www.simplex-fire.com/sle). Equipment and interface must comply with NFPA and local codes.

Question (4/18/24 via email)

On the concrete bases for the kiosks the drawings say to see detail 200 on sheet C5.02 and there is no detail 200? Please advise.

Response

Kiosks are called out on sheets C3.01, C3.11, and C3.13 referencing detail 200 on sheet C5.20. Details 200 through 206 on sheet C5.20 all pertain to Kiosk construction including the concrete bases.

Question (4/18/24 via email)

Regarding electrical lighting schedule: I can't see and actual lighting schedule anywhere?

Response

Fixture types are called out in detail in the legends included on the electrical plan sheets E2.01 and E2.02 for the Day Use Building, and sheet E2.11 for the Welcome Center.

Attachments:

- PowerCharge-Energy-40A-Datasheet 2023 (4 pages)
- Addendum Sketch ADD-2.01 (1 page)
- Addendum Sketch ADD-2.02 (1 page)
- Addendum Sketch ADD-2.03 (1 page)
- Addendum Sketch ADD-2.04 (1 page)
- Addendum Sketch ADD-2.05 (1 page)
- Addendum Sketch ADD-2.06 (1 page)
- Addendum Sketch ADD-2.07 (1 page)



Manuel Iglesias, Contracts Manager
Contracts and Grants Program

04/22/24

Date

END OF ADDENDUM NO. 2

PowerCharge™

PowerChargeEV.com

Charge Up!

COMMERCIAL ENERGY SERIES 40A

Multiple configurations and mounting options make the Energy Series the most versatile series in the PowerCharge™ line-up.



PowerCharge™

CABLE RETRACTOR

- **Optional** cable retractor extends the life of the cables by elevating them off the ground
- **Creates a safer** environment by greatly reducing tripping hazards

SLIM & DURABLE DESIGN

- **Outdoor rated** with multiple mounting configurations
- **Small footprint** whether wall or pedestal mounted

MULTIPLE MODELS

- **Open Access Control**
Non-networked common for residential and fleet use
- **RFID Access Control**
Non-networked model with RFID-card access control
- **Ethernet (40A Only)**
- **Cellular**
- **Networked**
When connected to a backend software plan, it unlocks features such as point of sale payment, usage data reporting, driver notifications, remote diagnostics, and more

LEVEL 2 CHARGING STATION

- **Up to 10x faster** than a standard 110v plug, the Level 2 Series safely delivers up to 35 miles of driving range for every hour of charge time
- **Adjustable** output allows for the ideal power to match your supply panel, electric vehicle, and driving range
- **3-Year Parts Warranty**
(5-Year Parts & Labor optional)

MOUNT CONFIGURATIONS

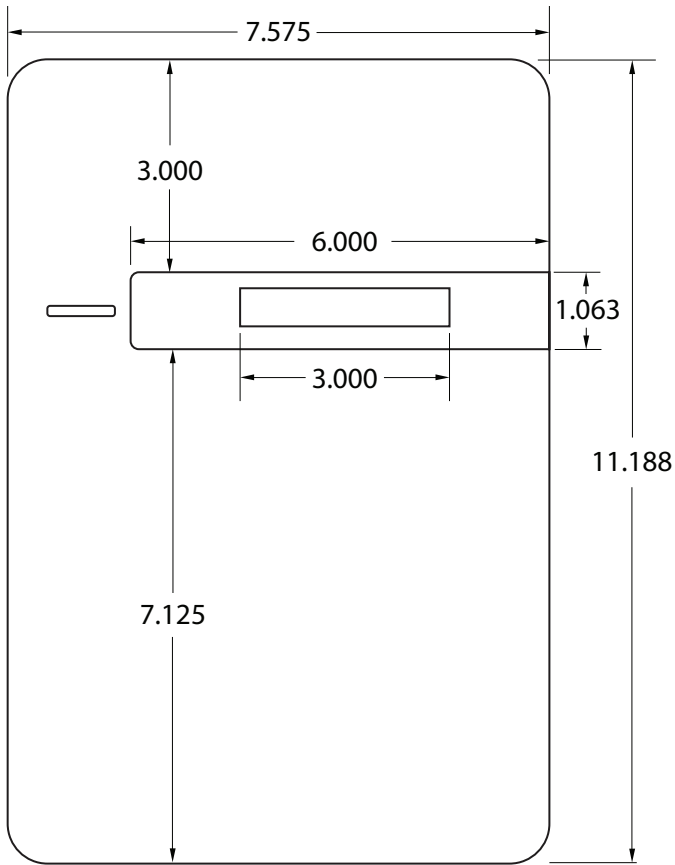


UL-Listed meets safety criteria for use in North America

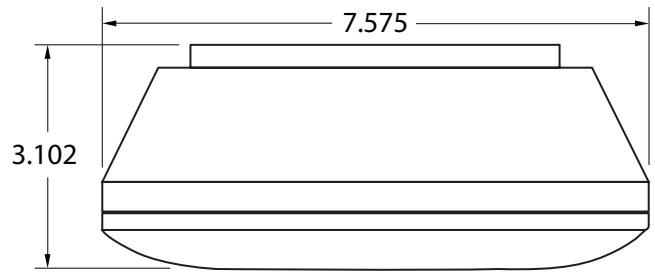


Meets standards for Americans with Disabilities Act

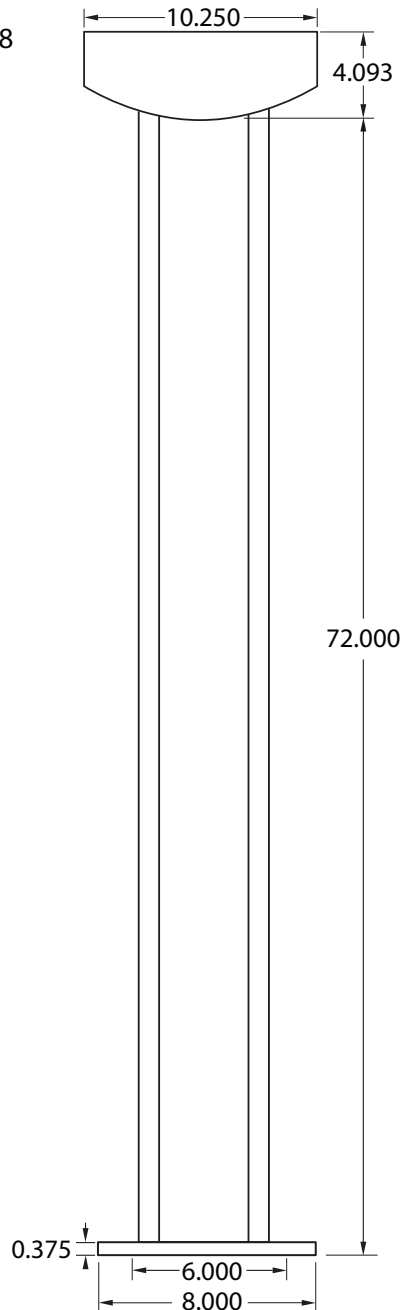
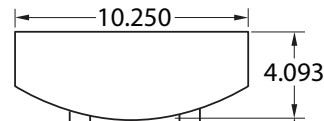
Shown as
Dual Retractor Pedestal
(Single configuration available)



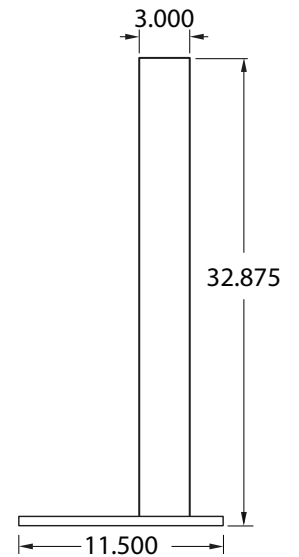
CHARGER FRONT



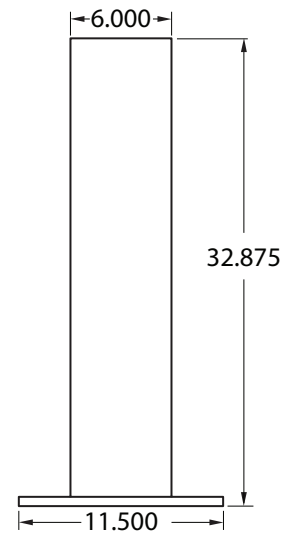
CHARGER TOP



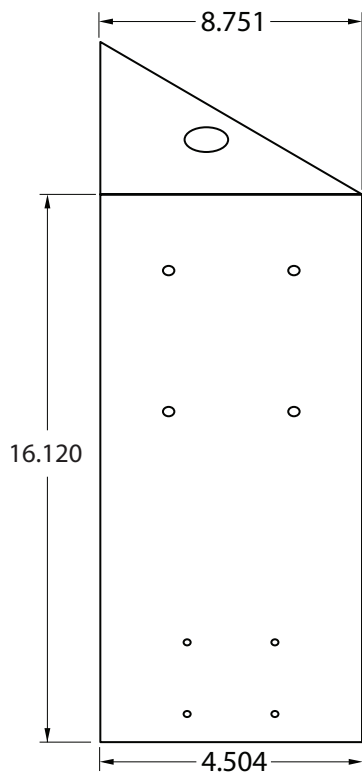
**RETRACTOR
(SINGLE / DUAL)**



**3x6x32 PEDESTAL
SIDE**

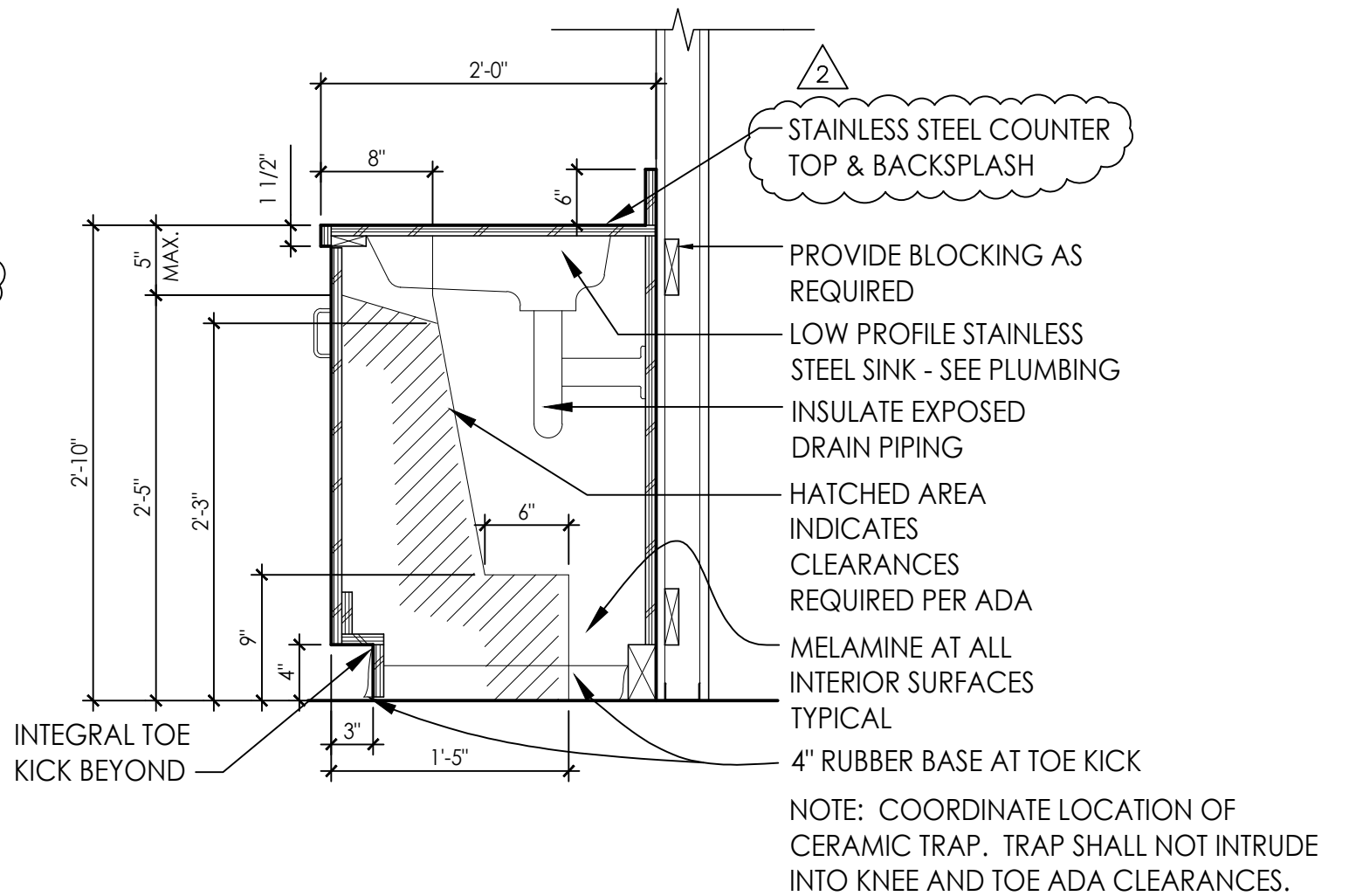
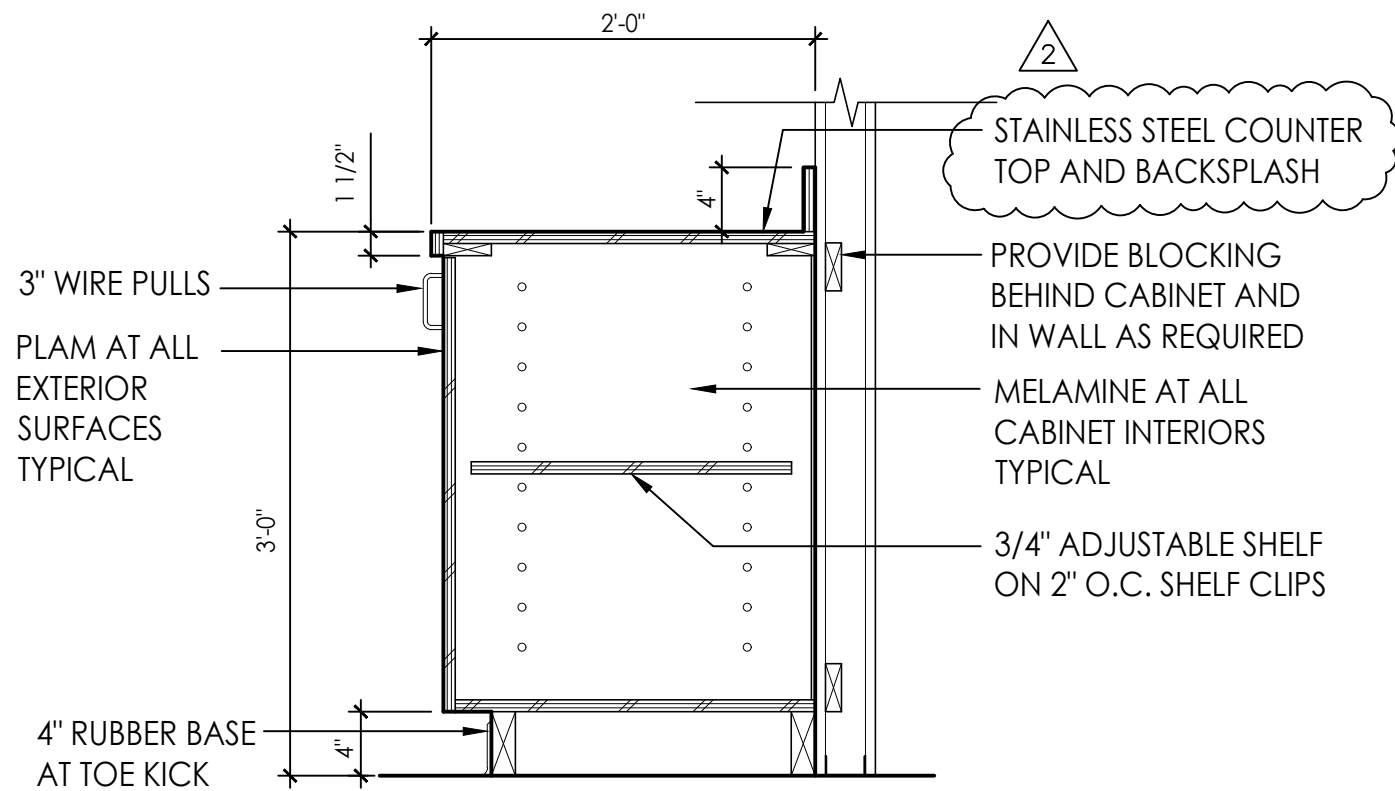


**3x6x32 PEDESTAL
FRONT/BACK**



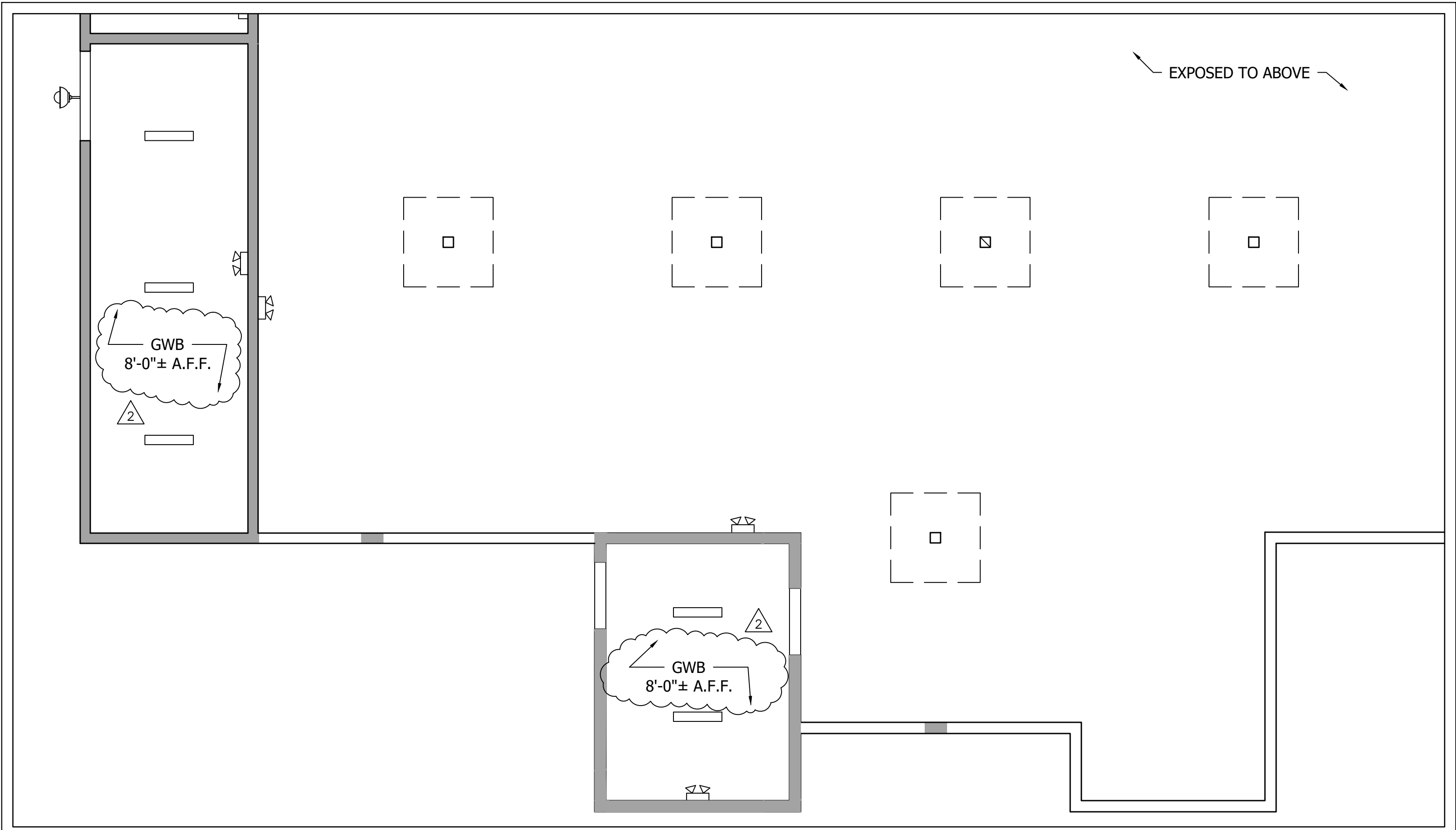
DUAL MOUNT BRACKET

CONFIGURATION	OPEN-ACCESS	RFID ACCESS / WI-FI	NETWORKED
APPLICATION	COMMERCIAL		
VOLTAGE (VAC)	208/240VAC, Single Phase		
FREQUENCY (Hz)	60 Hz		
CURRENT (RMS)	40A / 9.6kW		
CIRCUIT BREAKER	40A=50A		
CHARGING CONNECTOR	SAE J1772		
CHARGING CABLE LENGTH	18 ft.		
METERING ACCURACY	N/A	Embedded ±1%	
REAL-TIME CLOCK	N/A	Yes (7 Days)	
WI-FI	N/A	802.11 b/g/n	
CELLULAR		N/A	LTE / CDMA / GSM
ETHERNET	N/A	Yes	
RFID	N/A	ISO 14443 A/B ISO 15693 NEMA interoperability protocol	
DISPLAY	Color LED Status Lights	116(L)*8.5(w)*37(H)mm, 5.57mm CHARACTER HEIGHT 5*8 DOT MATRIX OLED 20x2 Color LED Status Lights	
DATA PROTOCOL	N/A	OCPP 1.6J	
OPERATION TEMPERATURE	-30°C/-22°F to 50°C/122°F		
STORAGE TEMPERATURE	-40°C/-40°F to 70°C/158°F		
MOUNTING TYPE	Wall / Pedestal Mount / Ceiling Mount		
STORAGE TEMPERATURE	-40°C/-40°F to 70°C/158°F		
IP PERFORMANCE	NEMA 4		
DIMENSION (LxWxH, INCHES)	11.14 x 7.56 x 3.11"		
IMPACT RESISTANCE	IK10		
WEB PORTAL MANAGEMENT	N/A	Yes	
CERTIFICATION	UL 50/991/1449/1998/2231/2594 FCC Part 15B		
	N/A	FCC Part 15.225 (RFID 13.56MHz) FCC Part 15.247 (WLAN 2.4GHz)	
		N/A	FCC Part 27 (AT&T) FCC Part 27 (Verizon)
PEDESTAL DIMENSIONS	48"x11.5"x11.5" • 72"x11.5"x11.5"		
PEDESTAL CONSTRUCTION	Aluminum, Powder-Coat Finish, Stainless Steel Hardware		
WARRANTY	3 Year Parts Warranty (5 Year Parts & Labor Optional)		



B **CABINET SECTION DETAIL**
 22 x 34 - 1" = 1'-0"
 11 x 17 - 1/2" = 1'-0"

C **SINK CABINET DETAIL**
 22 x 34 - 1" = 1'-0"
 11 x 17 - 1/2" = 1'-0"



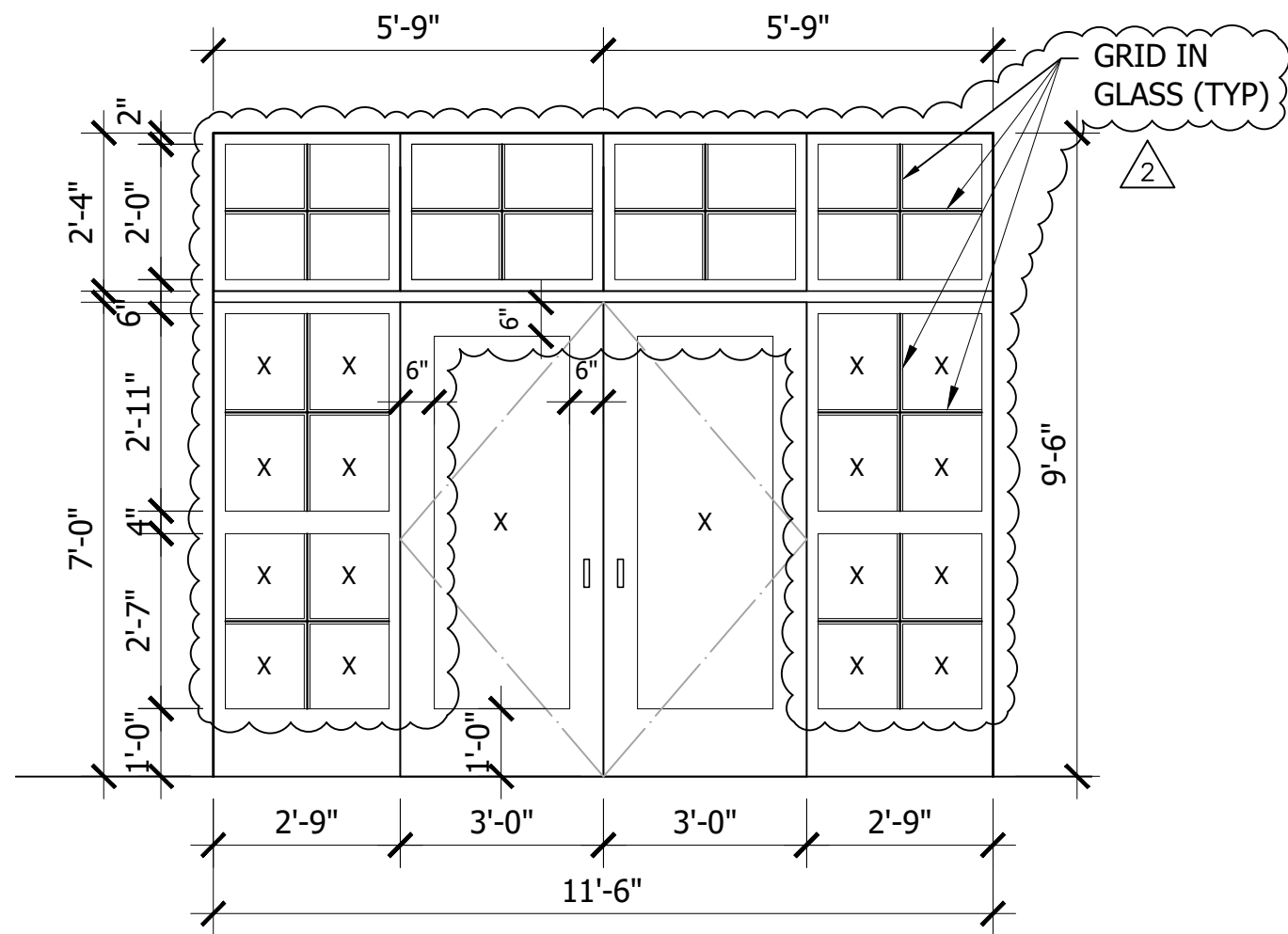
DOOR SCHEDULE

DOOR NO.	DOOR SIZE	DOOR				FRAME		RATING	HDW GRP	DETAILS			REMARKS
		TYPE	CORE	MAT	FIN	MAT	FIN			HEAD	JAMB	SILL	
100	PR 3'-0" x 7'-0" x 1 3/4"	A		ALUM	FF	ALUM.	FF		7				
100A	PR 3'-0" x 7'-0" x 1 3/4"	A		ALUM	FF	ALUM.	FF		7				
100B	3'-0" x 7'-0" x 1 3/4"	D		WD	ST	HM	PT		5				
101A	3'-6" x 7'-0" x 1 3/4"	D		WD	ST	HM	PT		3				
101B	3'-0" x 7'-0" x 1 3/4"	D		WD	ST	HM	PT		3				
101C	6'-0" W x 4'-2" HIGH	E		ALUM.	FF	ALUM.	FF						
102	3'-0" x 7'-0" x 1 3/4"	D		WD	ST	HM	PT		1				
103	3'-0" x 7'-0" x 1 3/4"	D		WD	ST	HM	PT		1				
104	3'-0" x 7'-0" x 1 3/4"	D		WD	ST	HM	PT		1				
105	3'-0" x 7'-0" x 1 3/4"	D		WD	ST	HM	PT		1				
106A	PR 2'-6" x 7'-0" x 1 3/4"	D		WD	ST	HM	PT		2				
106B	PR 2'-6" x 7'-0" x 1 3/4"	D		WD	ST	HM	PT		2				
106C	PR 2'-6" x 7'-0" x 1 3/4"	D		WD	ST	HM	PT		2				
107B	PR 3'-0" x 7'-0" x 1 3/4"	C		WD	ST	HM	PT		6				
107C	12'-0" x 8'-0"	B		ALUM	FF	ALUM	FF		12				
108A	PR 3'-0" x 7'-0" x 1 3/4"	A		ALUM	FF	ALUM.	FF		7				
108B	PR 3'-0" x 7'-0" x 1 3/4"	C		WD	ST	HM	PT		6				
108C	12'-0" x 8'-0"	B		ALUM	FF	ALUM	FF		12				
001	3'-0" x 7'-0" x 1 3/4"	D		HM	PT	HM	PT		10				EXTERIOR INSULATED
002	3'-0" x 7'-0" x 1 3/4"	D		HM	PT	HM	PT		10				EXTERIOR INSULATED
003	4'-0" x 7'-0" x 1 3/4"	D		HM	PT	HM	PT		15				EXTERIOR INSULATED
004	3'-0" x 6'-8" x 1 3/4"	D		HM	PT	HM	PT		9				EXTERIOR INSULATED

2

ABBREVIATIONS:

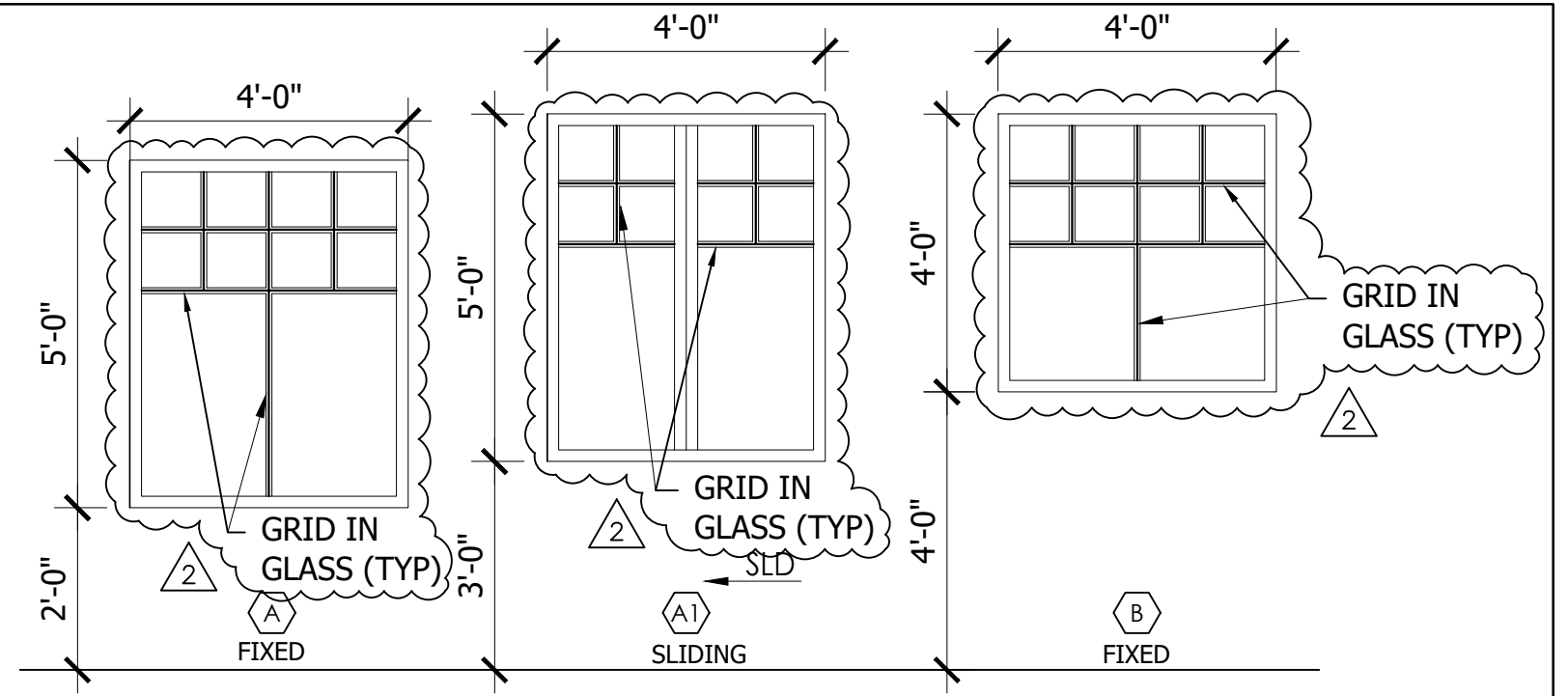
FF FACTORY FINISH
 WD WOOD
 PT PAINT
 ST STAIN
 HM HOLLOW METAL
 ALUM ALUMINUM
 MAT MATERIAL
 FIN FINISH



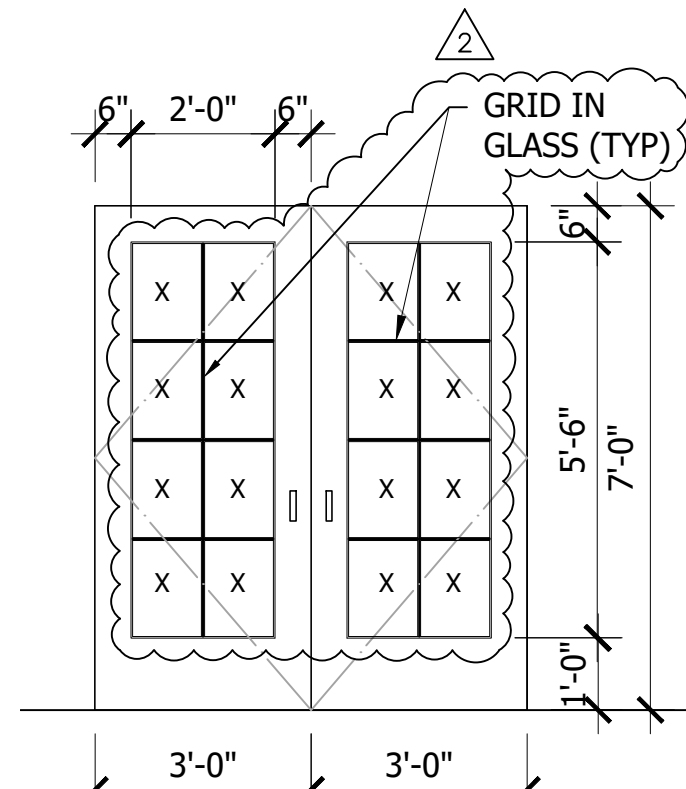
A ALUMINUM STOREFRONT ENTRANCE

DOOR TYPES

"X" DENOTES TEMPERED GLASS (SAFETY GLASS)



WINDOW TYPES "X" DENOTES TEMPERED GLASS (SAFETY GLASS)



C WOOD DOORS WITH RELITES

DNC.
 P (TYP)
 RIGHT TURN ONLY
 SIGN WITH DO NOT
 ENTER SIGN, TYPE
 5-1 OPPOSITE

13 CONCRETE
 C5.01 BARRIER CURB

EV CHARGER, DUAL HEAD
 (OWNER FURNISHED,
 CONTRACTOR INSTALLED)

TRANSFORMER AND COMM.
 VAULT AREA IN CONC.
 PAVING (SEE ELECT.)

WSDOT STD. TYPE A
 THROUGH LANE-USE
 ARROW, WHITE (TYP)

PROPANE SERVICE LINE
 TO DAY USE BUILDING

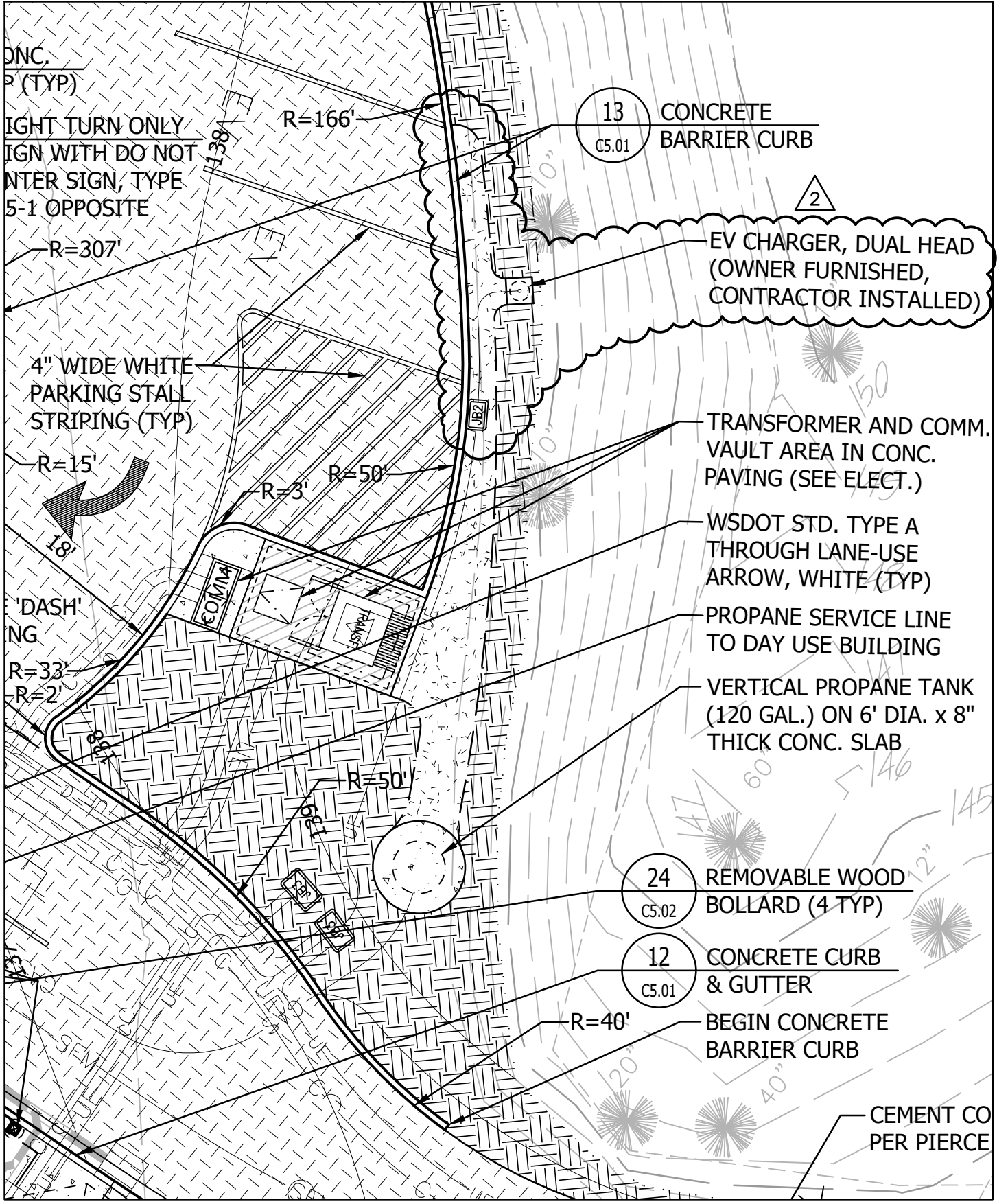
VERTICAL PROPANE TANK
 (120 GAL.) ON 6' DIA. x 8"
 THICK CONC. SLAB

24 REMOVABLE WOOD
 C5.02 BOLLARD (4 TYP)

12 CONCRETE CURB
 C5.01 & GUTTER

BEGIN CONCRETE
 BARRIER CURB

CEMENT CO
 PER PIERCE



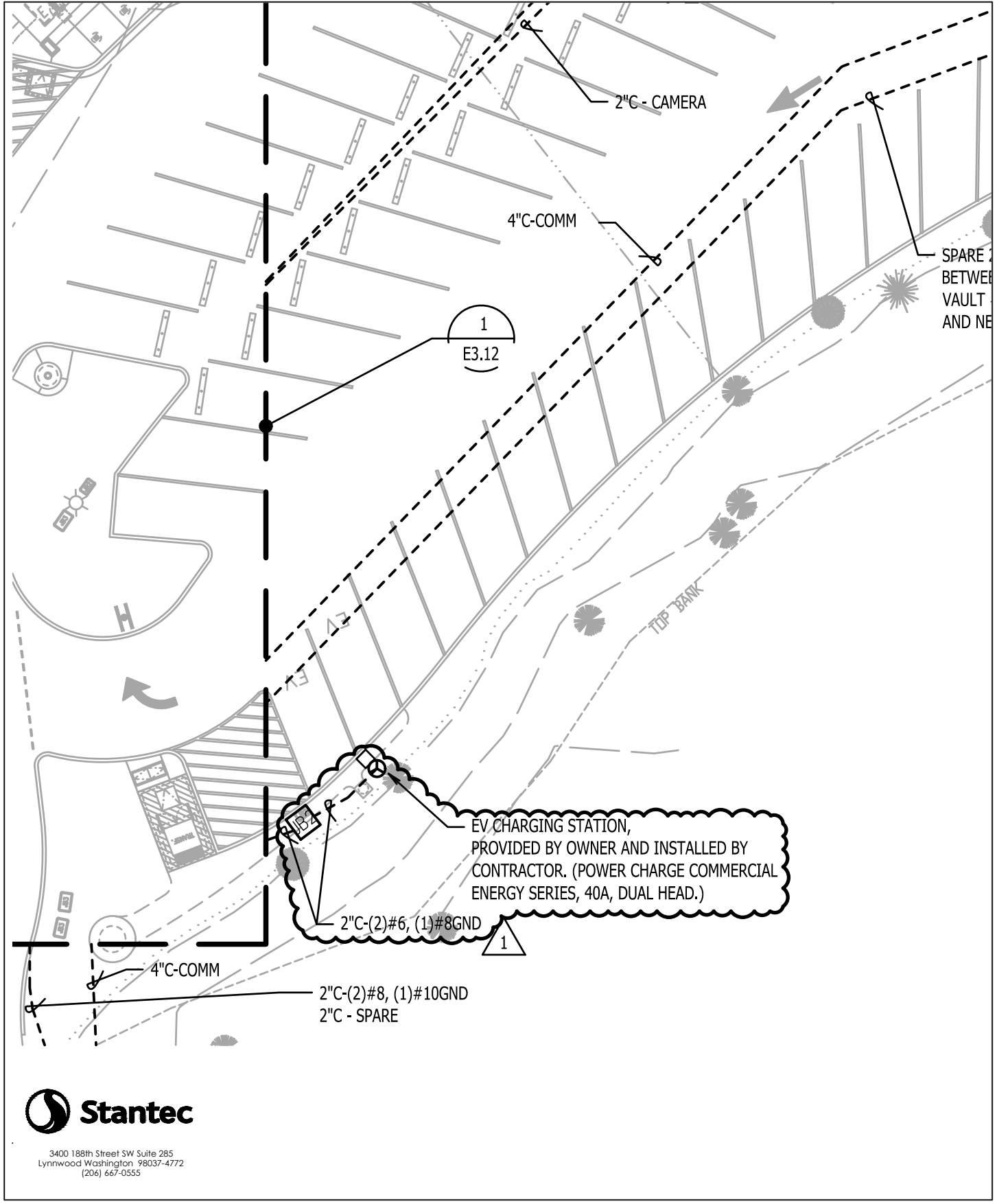
BRUCE DEES & ASSOCIATES
 Landscape Architecture • Urban Design
 Site Planning • Recreation Facilities Design
 222 E. 26th St., No. 202, Tacoma, WA 98421 (253)827-7947
 www.bdasociates.com info@bdasociates.com

Kopachuck State Park - Day Use Dev.
Pierce County, WA

DWG NO/SHEET: 1 of 1 / C3.13
 DRAWING TITLE:
 LAYOUT & MATLS. PLAN
 WELCOME CENTER AREA

ADDENDUM:
 SKETCH
ADD-2.05
 DATE: 04.22.24

V:\2048\ACTIVE\204820753\CAD-BIM\SKETCH_ADD-2.06 Apr 22, 2024 1:29 PM By: JWWTTMIER



Stantec
 3400 188th Street SW Suite 285
 Lynnwood Washington 98037-4772
 (206) 667-0555

BRUCE DEES & ASSOCIATES
 Landscape Architecture • Urban Design
 Site Planning • Recreation Facilities Design
 222 E. 26th St., No. 202, Tacoma, WA 98421 (253) 627-7947
 www.bdeesassociates.com info@bdeesassociates.com

**Kopachuck State Park -
 Day Use Dev.
 Pierce County, WA**

DWG NO/SHEET: 1 of 1 / E1.04
 DRAWING TITLE:
**SITE ELECTRICAL
 PLAN - GRID 4**

ADDENDUM:
 SKETCH
ADD-2.06
 DATE: 04.22.24

1 PH

3W

200A

Main CB

Surface Mounted

Single Lugs

Type: Panelboard

22,000 AIC

Panel

	Load	CB	*	A	B	CB	Load	Description	#	
	0.54	20/1	CB	X		20/2	CB	0.17	Lighting ROADWAY LIGHTING	2
	1.08	20/1	CB		X	-----	---	0.17	-----ROADWAY LIGHTING	4
	0.90	20/1	CB	X		20/2	CB	0.30	Lighting PARKING LOT LIGHTING	6
	0.72	20/1	CB		X	-----	---	0.30	-----PARKING LOT LIGHTING	8
	0.10	20/1	CB	X		20/2	CB	1.00	Mech SEWAGE PUMP	10
IT	0.17	20/1	CB		X	-----	---	1.00	-----SEWAGE PUMP	12
	0.13	20/1	CB	X		20/1	CB	0.20	Equip SECURITY VIDEO RECORDER	14
	0.05	20/1	CB		X	50/2	CB	4.80	Equip VEHICLE CHARGING STATION	16
	3.07	40/2	CB		X	-----	---	4.80	-----VEHICLE CHARGING STATION	18
	3.07	-----	---		X	20/1	CB	1.00	Receipt FESTIVAL POWER BOX 120V	20
	0.76	20/2	CB		X	30/2	CB	2.16	Receipt FESTIVAL POWER BOX 240V	22
	0.76	-----	---		X	-----	---	2.16	-----FESTIVAL POWER BOX 240V	24
	0.00	0/1			X	20/1	CB	0.08	Lighting FLAG POLE LTS	26
	0.00	0/1			X	20/1	CB	0.20	Equip BEACH AREA GATE	28
	0.00	0/1			X	20/1	CB	0.20	Receipt CAMERA RECEIPT POLE P1	30
	0.00	0/1			X	20/1	CB	0.20	Receipt CAMERA RECEIPT POLE P3	32
	0.00	0/1			X	20/1	CB	0.20	Receipt CAMERA RECEIPT POLE R5	34
	0.00	0/1			X	20/2	CB	0.90	Equip UPS	36
	0.00	0/1			X	-----	---	0.90	-----UPS	38
	0.00	0/1			X	0/1		0.00	Space	40
	0.00	0/1			X	0/1		0.00	Space	42
d #	Connected KVA		PH A	PH B	* Circuit Breaker Code					
			15.50	16.57	G = GFCI H = HID Rated					
					S = Shunt Trip C = HACR Rated					
					D = Switching Duty # = See Note					
					A = AFCI					
Factor	Dem.		KVA Dem. Amf		NEC Feed %		NEC Feed Amps			
			11.80		49 x 100%		49			



3400 188th Street SW Suite 285
Lynnwood Washington 98037-4772
(206) 667-0555



Kopachuck State Park -
Day Use Dev.
Pierce County, WA

DWG NO/SHEET: 1 of 1 / E4.03
DRAWING TITLE:
SITE ELECTRICAL PANEL
SCHEDULES & ONE-LINE

ADDENDUM:
SKETCH
ADD-2.07
DATE: 04.22.24